

Self Priming Centrifugal Pumps

Ultra V Series[®] Basic Pump[™]/UltraMate[®] Second Stage



Model VS3B60-B

Size 4" x 3"



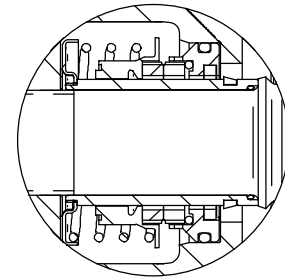
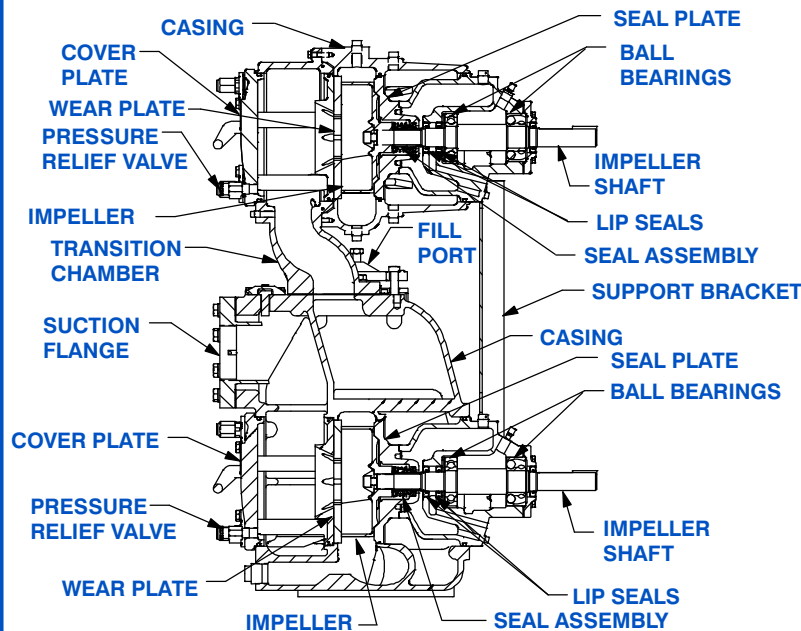
VARIOUS PATENTS APPLY

PUMP SPECIFICATIONS

- Size:** 4" x 3" (102 mm x 76 mm) – Flanged.**
- Casings:** Gray Iron 30.
Maximum Operating Pressure 176 psi (1213 kPa).*
- Semi-Open Type, Two Vane Impellers:** Ductile Iron 65-45-12.
Handles 3" (76,2 mm) Diameter Spherical Solids.
- Impeller Shafts:** Alloy Steel 4150.
- Self-Cleaning Replaceable Wear Plates:** Carbon Steel ASTM A36.
- Shimless Adjustable Cover Plates:** Gray Iron 30.
- Suction Flange:** Gray Iron 30.
- Bearing Housings:** Gray Iron 30.
- Seal Plates:** Gray Iron 30.
- Shaft Sleeves:** Alloy Steel 4130.
- Radial Bearings:** Open Single Row Ball.
- Thrust Bearings:** Open Double Row Ball.
- Bearing and Seal Cavity Lubrication:** SAE 30 Non-Detergent Oil.
- Gaskets:** Buna-N, Compressed Synthetic Fibers, Vegetable Fiber, PTFE, Cork, and Rubber.
- O-Rings:** Buna-N.
- Transition Chamber:** Ductile Iron 65-45-12.
- Hardware:** Standard Plated Steel.
- Brass Pressure Relief Valves.**
- Bearing and Seal Cavity Oil Level Sight Gauges.**
- Optional Equipment:** Automatic Air Release Valve. High Pump Temperature Shutdown Kit. Stainless Steel/G-R Hard Iron Impellers, Wear Plates and Seal Plates. 120/240 Volt Casing Heater.
- ** Optional Gray Iron 30 Flange Kits Available as Follows (See Price Sheets):
3" Female NPT Discharge Flange Kit.
4" and 3" ASA Suction/Discharge Spool Flange Kits.
100 mm and 80 mm DIN 2527 (PN 16) Suction/Discharge Spool Flange Kits.

UltraMate[®]
Second Stage

Ultra V
Basic Pump



SEAL DETAIL

Cartridge Type, Mechanical, Oil-Lubricated, Double Floating, Self-Aligning. Silicon Carbide Rotating and Stationary Faces. Stainless Steel 316 Stationary Seat. Fluorocarbon Elastomers (DuPont Viton[®] or Equivalent). Stainless Steel 18-8 Cage and Spring. Maximum Temperature of Liquid Pumped, 160°F (71°C).*

* Consult Factory for Applications Exceeding Maximum Pressure and/or Temperature Indicated.

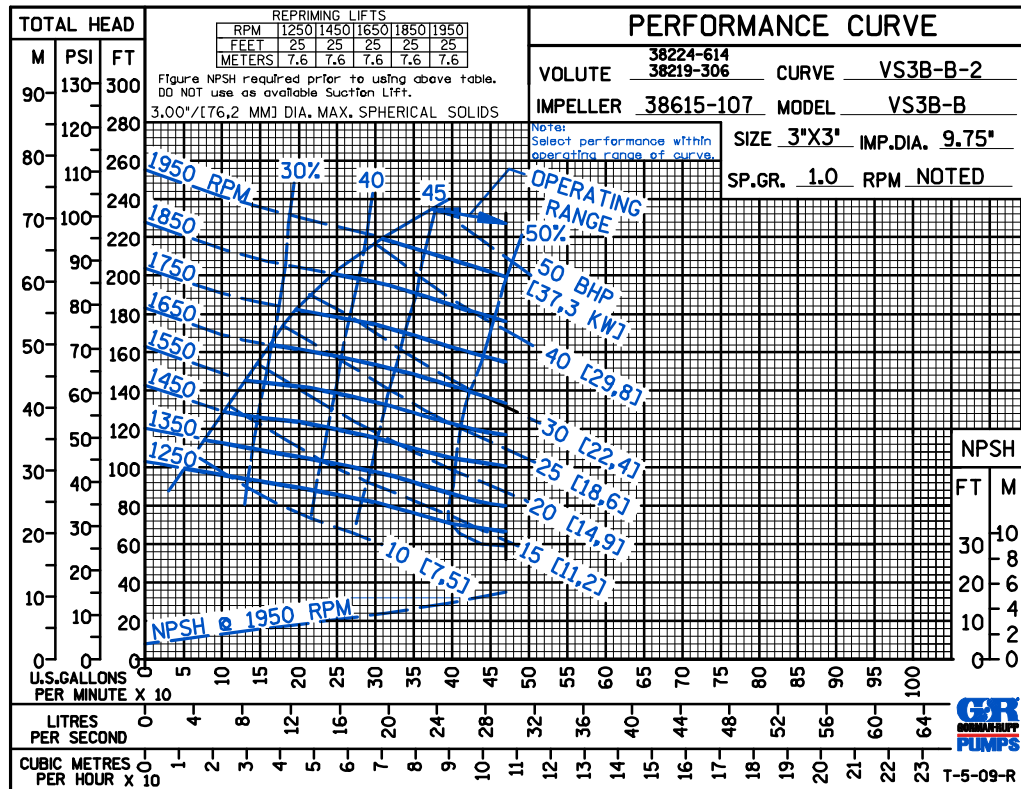
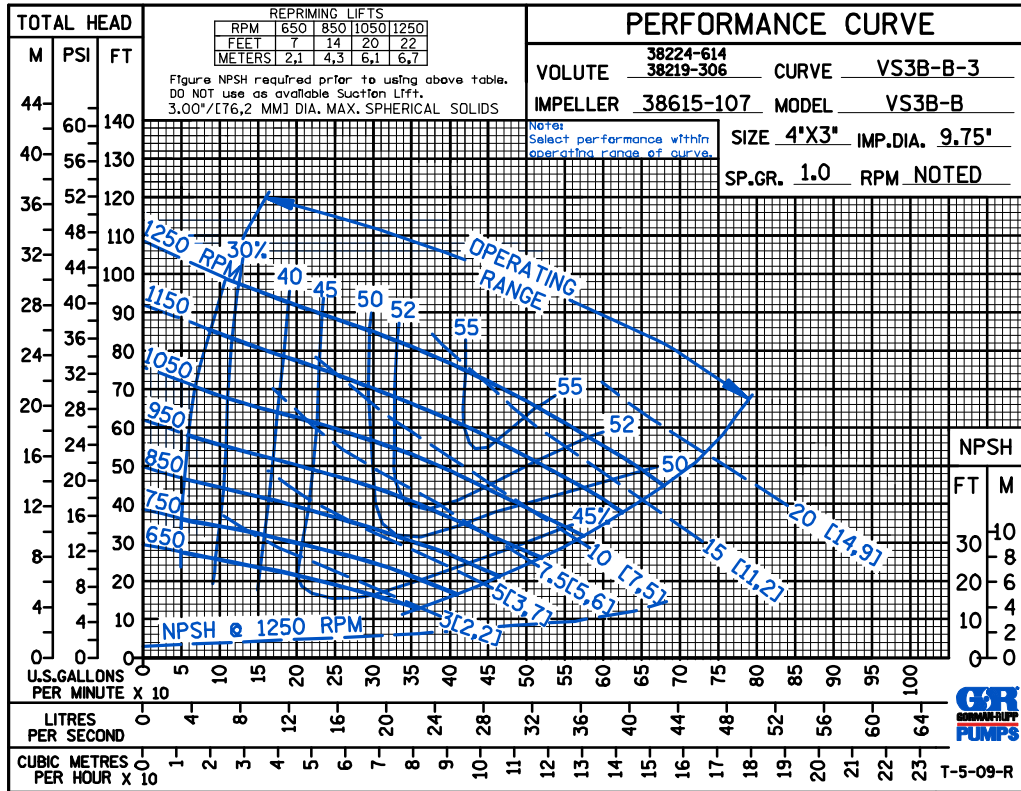


GORMAN-RUPP PUMPS

www.grpumps.com

Specifications Subject to Change Without Notice

Printed in U.S.A.



GORMAN-RUPP PUMPS

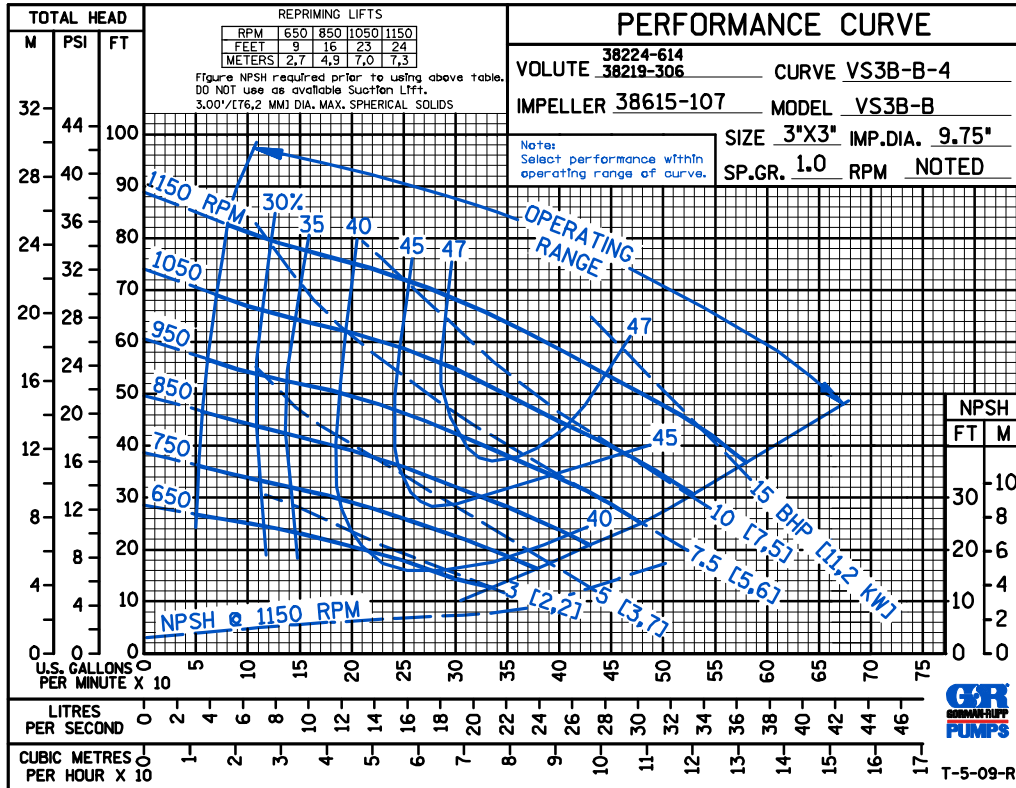
www.grpumps.com

Specifications Subject to Change Without Notice

Printed in U.S.A.

TOTAL
COMBINED
H.P. SHOWN

PERFORMANCE
FOR REDUCED
SUCTION
BASED ON
WATER



GORMAN-RUPP PUMPS

www.grpumps.com

Specifications Subject to Change Without Notice

Printed in U.S.A.